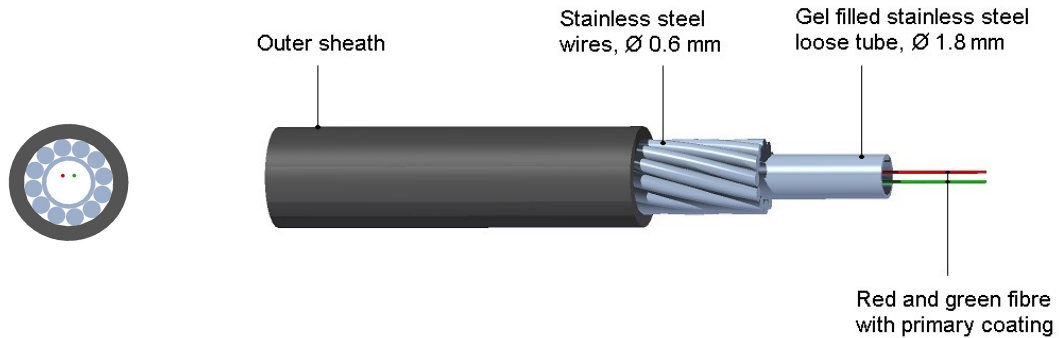


**Sensor Cable Fast Response FRNC, 4.0 mm**  
Part number: 28030504

Steel loose tube with 2 fibres, metal strength members and outer sheath:






**Specifications**

<b>General description</b>	The Sensor Cable complies with the manufacturer's guidelines of system calibration for the undisturbed operation as fire detection system.
----------------------------	--

<b>Optical fibre</b>	62,5/125µm, Graded index
----------------------	--------------------------

**Mechanical Data**

Steel loose tube	Hydrophobic gel filled as fibre protection, longitudinal water-tight.
Outer diameter	1.8 mm
Number of fibres	2
Armour	12 steel wires with 0.6 mm diameter
Outer sheath	FRNC, black
Outer diameter	4.0 mm
Labeling (white)	[Production lot]  [meter marking] LIOS Sensing Fast Response FRNC 28030504  OPTICAL FIBRE CABLE  NKT Photonics

LIOS #28030504 Datasheet Sensor Cable Fast Response FRNC\_nktp  
 Edition: 2020-01-03  
 Data and design subject to change without notice.  
 Supply subject to availability. © Copyright by NKT Photonics GmbH

## Sensor Cable Fast Response FRNC, 4.0 mm

Part number: 28030504

### Mechanical characteristics

Min. bending radius	
without tensile loading (IEC 60794-1-2, G1)	40 mm
with tensile loading (IEC 60794-1-2, E6)	80 mm (500 cycles, 100 N)
Max. tensile strength (IEC 60794-1-2, E1)	
long term	1100 N
short term	2000 N
Weight	44 kg/km
Max. crush resistance (IEC 60794-1-2, E3)	10000 N/dm (10 min.)
Impact resistance (IEC 60794-1-2, E4)	20 impacts with 1.0 Nm (marking stamp 300 mm)

### Thermal characteristics

Operating and storage temperature	- 40°C to + 85°C
Installation temperature	- 5°C to + 50°C
Short term temperature	- 50°C to + 150°C (max. 60 min.)

### Flammability

Fire class according EN 13501-6	B2ca-s1a,d0,a1
Flame resistance	IEC 60332-1-2
Circuit Integrity with mechanical shock	EN 50200 – PH 90 (90 min, 830 °C, $\Delta\alpha < 3$ dB @ 1300 nm)
Smoke density	IEC 61034-2
Halogen free	IEC 60754-1, IEC 60754-2
Fire load	0.16 MJ/m

### Electrical characteristics

Sheath insulation (VDE 0276-620)	5000 Veff, DC
----------------------------------	---------------

### Standards

Cable	IEC 60794
Fibre	IEC 60793

### Remark

	A calibration sheet can be supplied on request.
--	---